



## • ED4010 Series.

**DC Brushless fan.**

**Size: 40 x 40 x 10 mm**

**1.6 x 0.4 Inches.**

**Airflow: Max.12 CFM /0.3 m3/min**

**Plastic Impeller / Plastic Frame.**

| Model No.     | Rated Voltage | Voltage Range | Input Power | Rated Current | Ref Speed | Max. Airflow |        | Max. Static Pressure |        | Noise Level | PQ Curves |
|---------------|---------------|---------------|-------------|---------------|-----------|--------------|--------|----------------------|--------|-------------|-----------|
|               | VDC           | VDC           | Watt        | Amp           | RPM       | CFM          | m3/min | Inch/H2O             | mm/H2O | dB (A)      |           |
| ED4010-05HH** | 5             | 4~7           | 0.5(~1.5)   | 0.1(~0.3)     | 10000     | 12           | 0.3    | 0.34                 | 8.64   | 38          | HH        |
| ED4010-05H**  | 5             | 4~7           | 0.5(~1.5)   | 0.1(~0.3)     | 8000      | 9.25         | 0.3    | 0.20                 | 5.08   | 33          | H         |
| ED4010-05M**  | 5             | 4~7           | 0.36(~0.6)  | 0.07(~0.12)   | 6000      | 7.24         | 0.2    | 0.12                 | 3.05   | 25          | M         |
| ED4010-5L**   | 5             | 4~7           | 0.3         | 0.06          | 4000      | 4.75         | 0.1    | 0.07                 | 1.78   | 20          | L         |
| ED4010-12HH** | 12            | 8~13.8        | 0.72(~2.16) | 0.07(~0.18)   | 10000     | 12           | 0.3    | 0.34                 | 8.64   | 38          | HH        |
| ED4010-12H**  | 12            | 8~13.8        | 0.72(~1.08) | 0.07(~0.09)   | 8000      | 9.25         | 0.3    | 0.20                 | 5.08   | 33          | H         |
| ED4010-12M**  | 12            | 8~13.8        | 0.6         | 0.05          | 6000      | 7.24         | 0.2    | 0.12                 | 3.05   | 25          | M         |
| ED4010-12L**  | 12            | 9~14          | 0.5         | 0.04          | 4000      | 4.75         | 0.1    | 0.07                 | 1.78   | 20          | L         |
| ED4010-24HH** | 24            | 12~27.6       | 1.44(~2.16) | 0.06(~0.09)   | 10000     | 12           | 0.3    | 0.34                 | 8.64   | 38          | HH        |
| ED4010-24H**  | 24            | 12~27.6       | 1.44        | 0.06          | 8000      | 9.25         | 0.3    | 0.20                 | 5.08   | 33          | H         |
| ED4010-24M**  | 24            | 12~28         | 1.2         | 0.05          | 6000      | 7.24         | 0.2    | 0.12                 | 3.05   | 25          | M         |
| ED4010-24L**  | 24            | 12~28         | 0.72        | 0.03          | 4000      | 4.75         | 0.1    | 0.07                 | 1.78   | 20          | L         |

\*\* = "BL" for wire lead type Ball bearing Type.

\*We reserve the right to change data and improve electrical & mechanical design without notice. data tolerance +10%

### Motor

Motor Type: Brushless DC Motor, auto cutoff, auto restart optional only

Burnout Protection: Electronically protected, polarity protected

IP Protection: Ratings on request

### Mechanical

Frame: Glass fiber reinforced thermoplastic, rated UL94V-0

Impeller: 7 blades, glass fiber reinforced plastic, rated UL94V-0

Bearing: Two ball bearings

Rotation: CCW seen on rotor

Connection: Wire lead

Weight: 16 g (0.03 Lbs)

### Electrical

Dielectric Strength: 500 VAC/min. Max leakage 500mA

Speed Control: -

Signal Output: Optional:R/D alarm output, tachometer output F/G

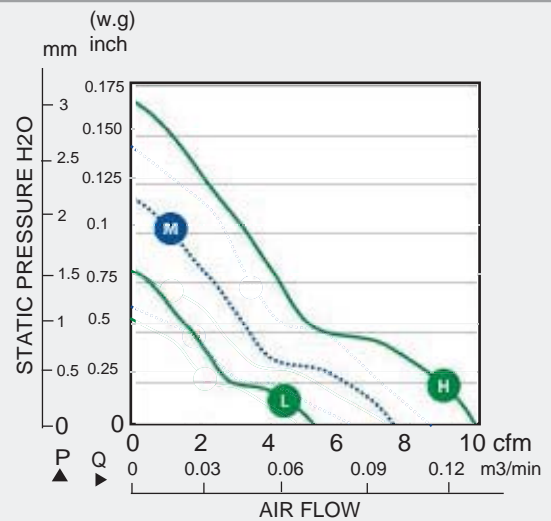
### Environment

Operating Temp: Ambient non-condensing -15°C~+65°C

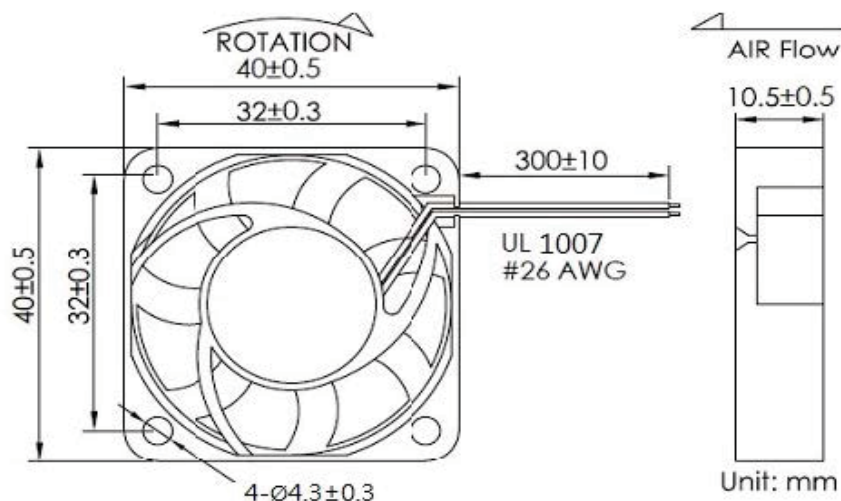
Storage Temp: -25°C~+80°C (at 65%RH)

Life Expectancy: L10 60K hours at 45°C, 50K hours at 60°C

### ► Performance P-Q Curves.



### ► Outline Dimensions.



### Fan Accessories

